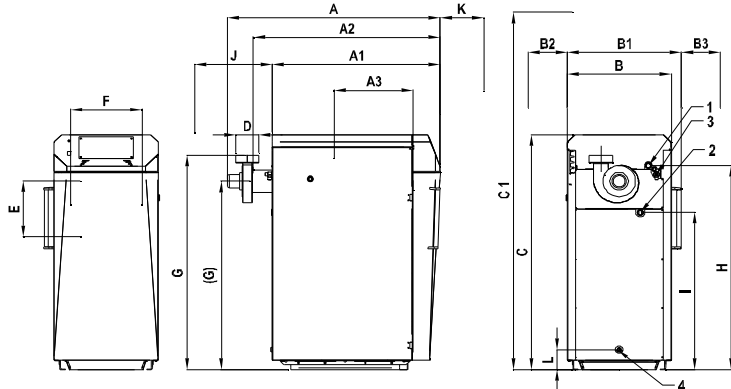


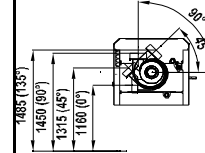
# HERZ firestar 15 / 19 / 20 / 30 / 40 BioControl

Standard specification sheet

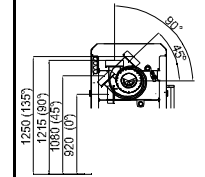
fs 15-19-20-30-40  
V 10/09



Position of exhaust fan fs 20-30-40

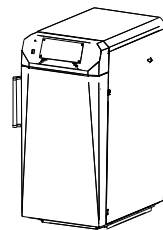


Position of exhaust fan fs 15-19



firestar De Luxe		15	19	20	30	40
Power range [kW]		10,2 - 16,5	10,2 - 18,9	14,3 - 21,5	14,3 - 28,5	19,1 - 40,1
Power range - Declaration at nameplate [kW]		10,2-16	10,2 - 20,5	14,3 - 20	14,3 - 30	19,1 - 40
Continuance of combustion max. [h]		6	5	8	7	5
A Length		1370 (1385)	1370 (1385)	1370 (1385)	1370 (1385)	1370 (1385)
A1 Length		1080	1080	1080	1080	1080
A2 Length		1210	1210	1210	1210	1210
A3 Length		560	560	560	560	560
B Width		620	620	670	670	670
B1 Width		685	685	735	735	735
B2 Width		250	250	250	250	250
B3 Width		250	250	250	250	250
C Height		1365	1365	1590	1590	1590
C 1 Height		2000	2000	2200	2200	2200
D Diameter flue pipe		150	150	150	150	150
E Height combustion door (filling door)		260	260	305	305	305
F Width combustion door (filling door)		400	400	460	460	460
G Height		1040	1040	1275	1275	1275
(G) Height		1220	1220	1450	1450	1450
H Height		1145	1145	1380	1380	1380
I Height		840	840	1065	1065	1065
J Desistance		500	500	500	500	500
K Desistance		520	520	570	570	570
L Height		135	135	135	135	135

Mounting dimensions in [mm]



Door stop of RIGHT to LEFT changable!

1...Flow 1" (internal screw thread) , 2...Return flow 1" (internal screw thread) , 3...Security heat exchanger 1/2" (outside screw thread), 4...filling/depletion 1/2" (internal screw thread)

Permissible fuels in accordance with valid test report.

Test report: firestar 20 De Luxe (BLT 0635/08, Akt. Zl. 260/07), firestar 20 De Luxe (BLT 0636/08, Akt. Zl. 105/08)

		15	19	20	30	40
Weight of boiler [kg]		519	519	622	622	622
Volume of combustion chamber [ltr.]		90	90	170	170	170
min./max. delivery pressure [mbar]		0,05/0,20	0,05/0,20	0,05/0,20	0,05/0,20	0,05/0,20
Admissible operating overpressure [bar]		3	3	3	3	3
Max. operating temperature [°C]		90	90	90	90	90
Water capacity [ltr.]		77	77	106	106	106
Electrical conention [V,Hz,A] / delivery rate		~230,50,10 / 0,01	~230,50,10 / 0,01	~230,50,10 / 0,01	~230,50,10 / 0,01	~230,50,10 / 0,01
Resistance of boiler at dt=20K [mbar]		1,4	2,1	3,2	8	7,3
Resistance of boiler at dt=10K [mbar]		5,4	8,4	13,2	28,2	27,2
Flow rate dt=20K [kg/h]		690	860	860	1290	1710
Flow rate dt=10K [kg/h]		1370	1714	1710	2570	3430
Electric power consumption, nominal load		0,065	0,066	0,064	0,07	0,087
Electric power consumption, part load [kW]		0,055	0,055	0,055	0,05	0,056
Size of heat exchanger [m2]		0,34	0,34	0,67	0,67	0,67
<b>Emission - Nominal load</b>						
Exhaust gas temperature [°C]		~ 140	~ 160	~ 140	~ 160	~ 170
Mass flow flue gas [kg/s]		0,0088	0,0099	0,0116	0,0151	0,0216
CO2 content [Vol. %]		15,4	15,6	15,5	15,5	15,6
Efficiency [%]		91,7	93,3	91,8	92,5	90,4
<b>Emission - Part load</b>						
Exhaust gas temperature [°C]		~ 100	~ 100	~ 100	~ 100	~ 100
Mass flow flue gas [kg/s]		0,0058	0,0058	0,00791	0,00791	0,0104
CO2 content [Vol. %]		14,7	14,7	15	15	14,5
Efficiency [%]		89,6	89,6	92	92	94,5

Changes in the sense of the technical progress reserved!

HERZ Energietechnik GesmbH  
Herzstraße 1 • A-7423 Pinkafeld  
e-mail: office-energie@herz.eu • www.herz.eu

